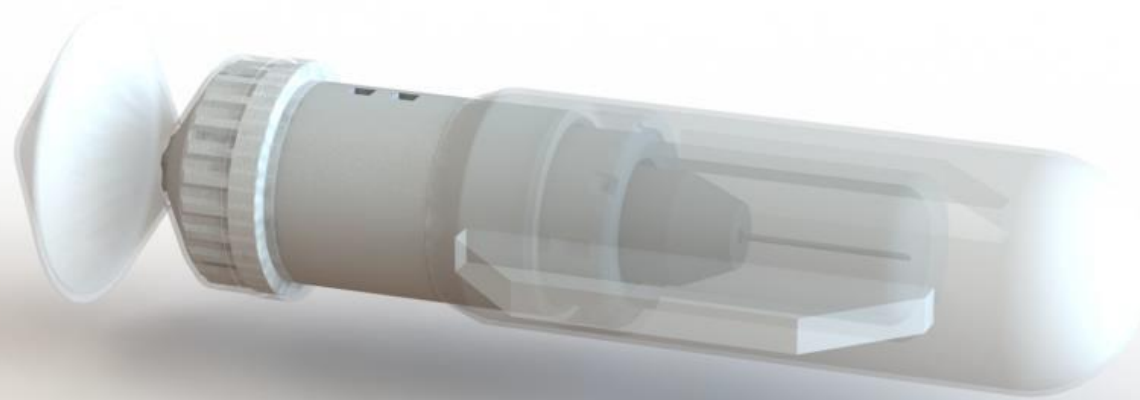




### **QuickInject Safety Shield**

- The finished device
- The sealed overcap protects misuse, safe for airline transport, labeling space.
- To open the device: hold on to the knurled cap and twist the over cap.
- Labeling: Product Name, expiration, cc amount, other required data.



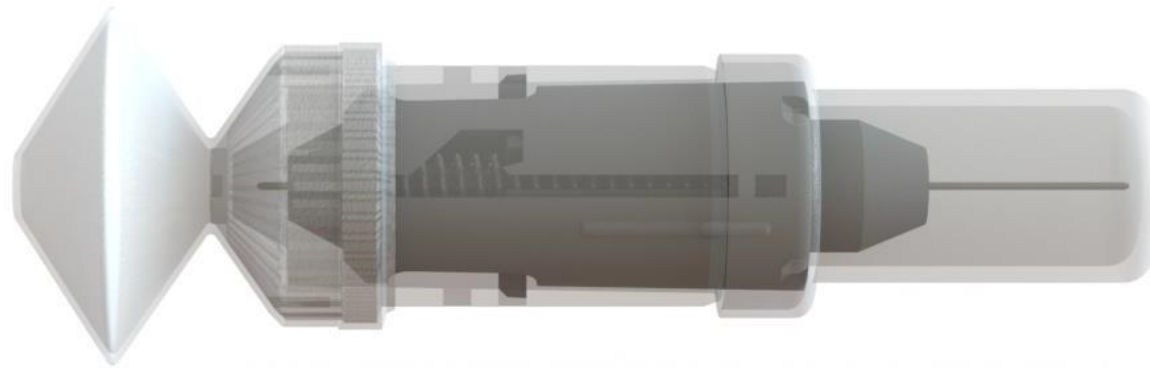
#### **QuickInject Safety Shield**

- Removing the overcap.
- The overcap can be opaque and colored to indicate the type of molecule injected, the cc size, as can the inner cap covering the needle.



QuickInject Safety Shield

- The over cap is separated from the device.



#### QuickInject Safety Shield

##### **Activation**

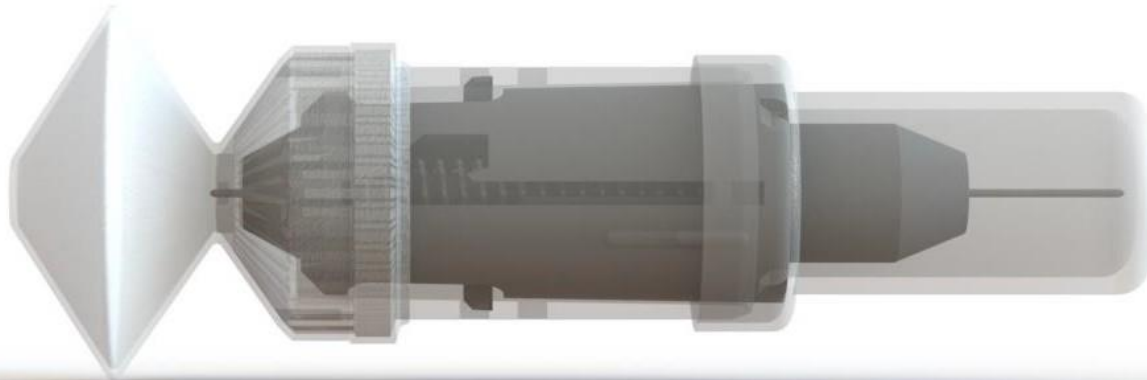
- Holding the Knurled cap, on the left side, the user then pushes on the safety cap to move the inside tab to the left.

##### **Charging the device**

- This illustration shows that the tab on the inside is going to move toward the knurled cap.

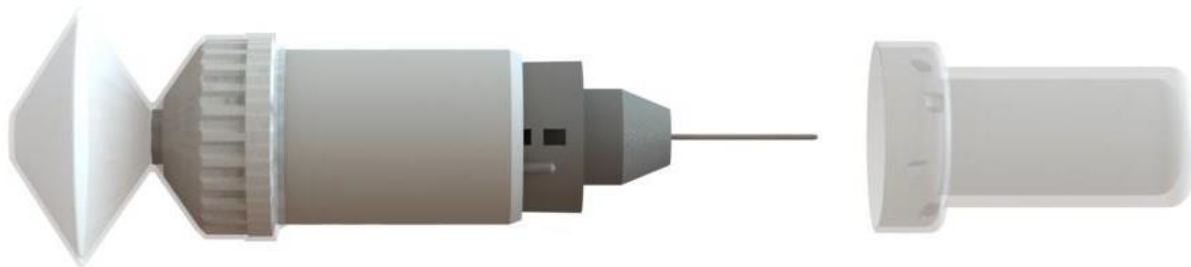
##### **Animation Video**

- A 'animation video', another view of the working device, is available upon request.



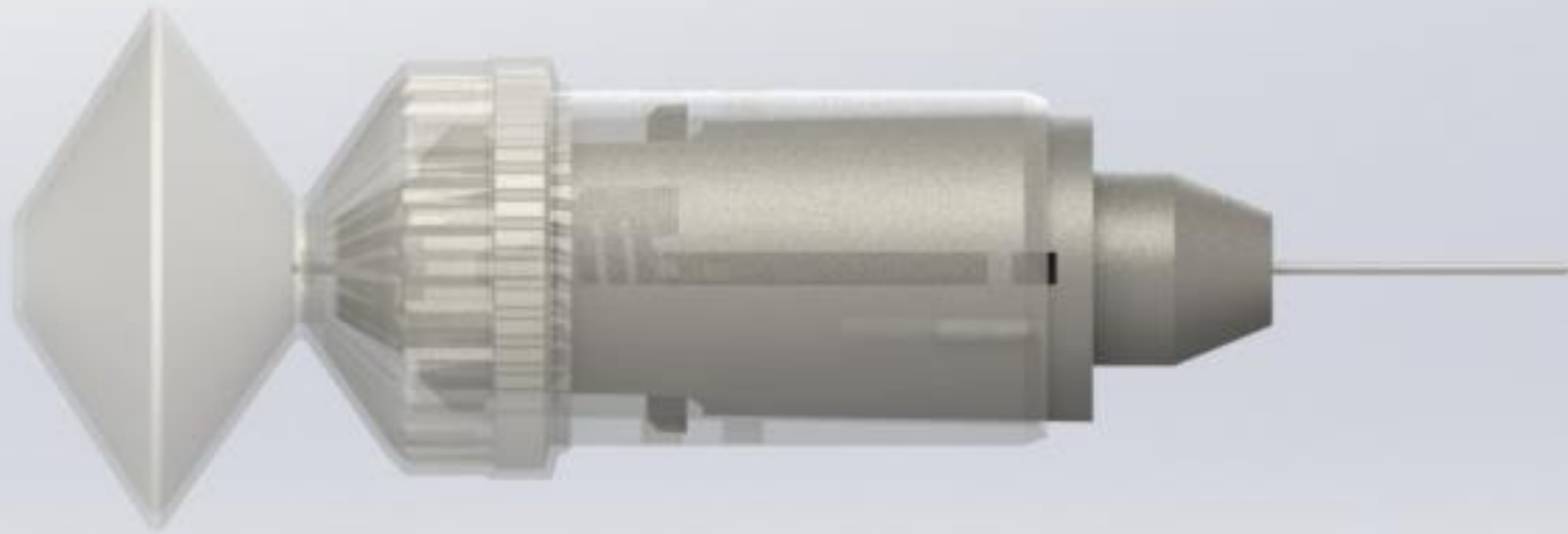
#### QuickInject Safety Shield

- The device is charged and ready to use.
- The tab has been moved the left.
- An opaque inner cap will hide the needle.



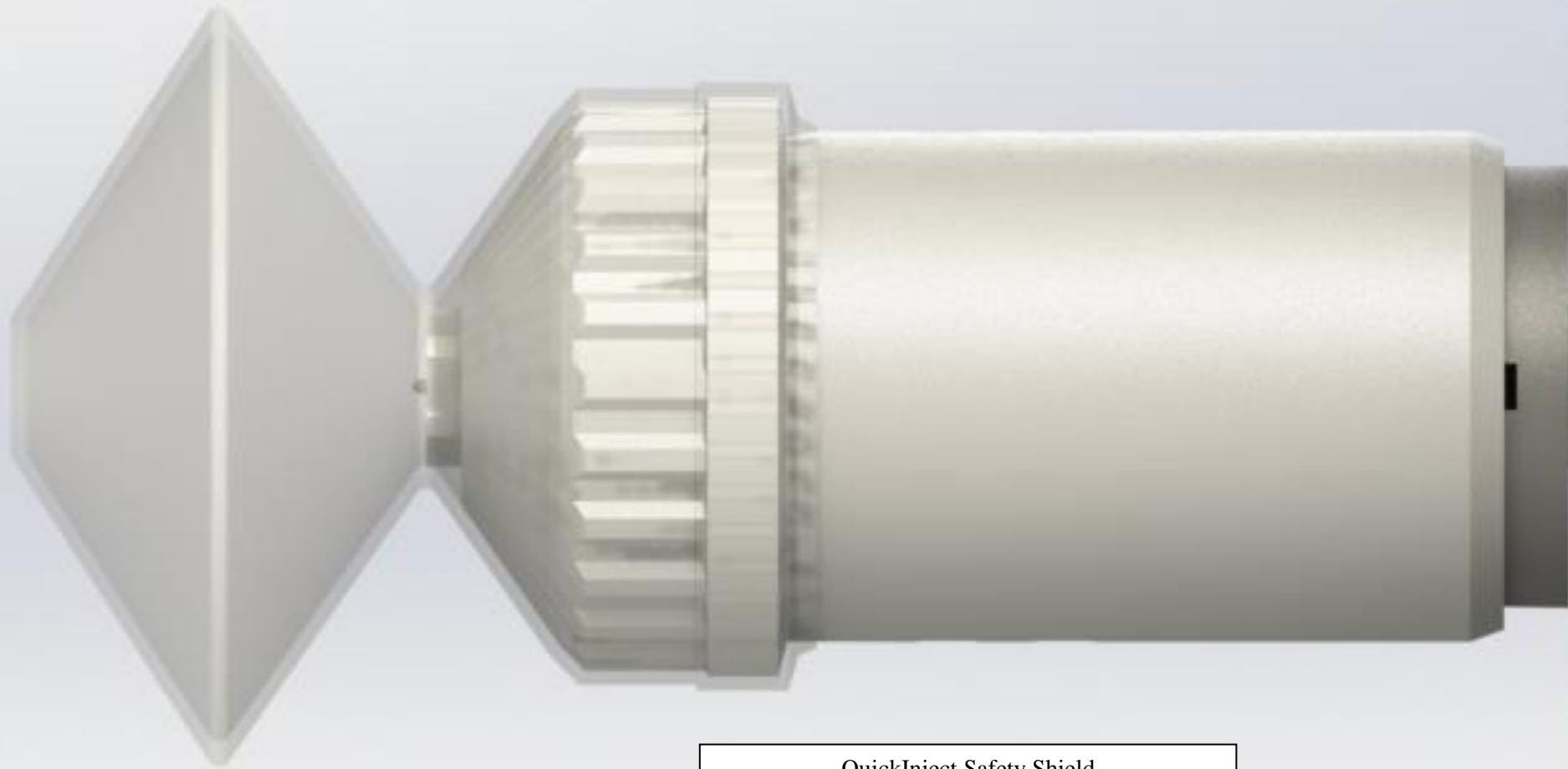
#### QuickInject Safety Shield

- The cap over the needle has been removed by the user.
- The device is now ready to be placed on the skin.
- This cap can be opaque, in different colors for different sizes: ½ cc, 1cc, etc.



#### QuickInject Safety Shield

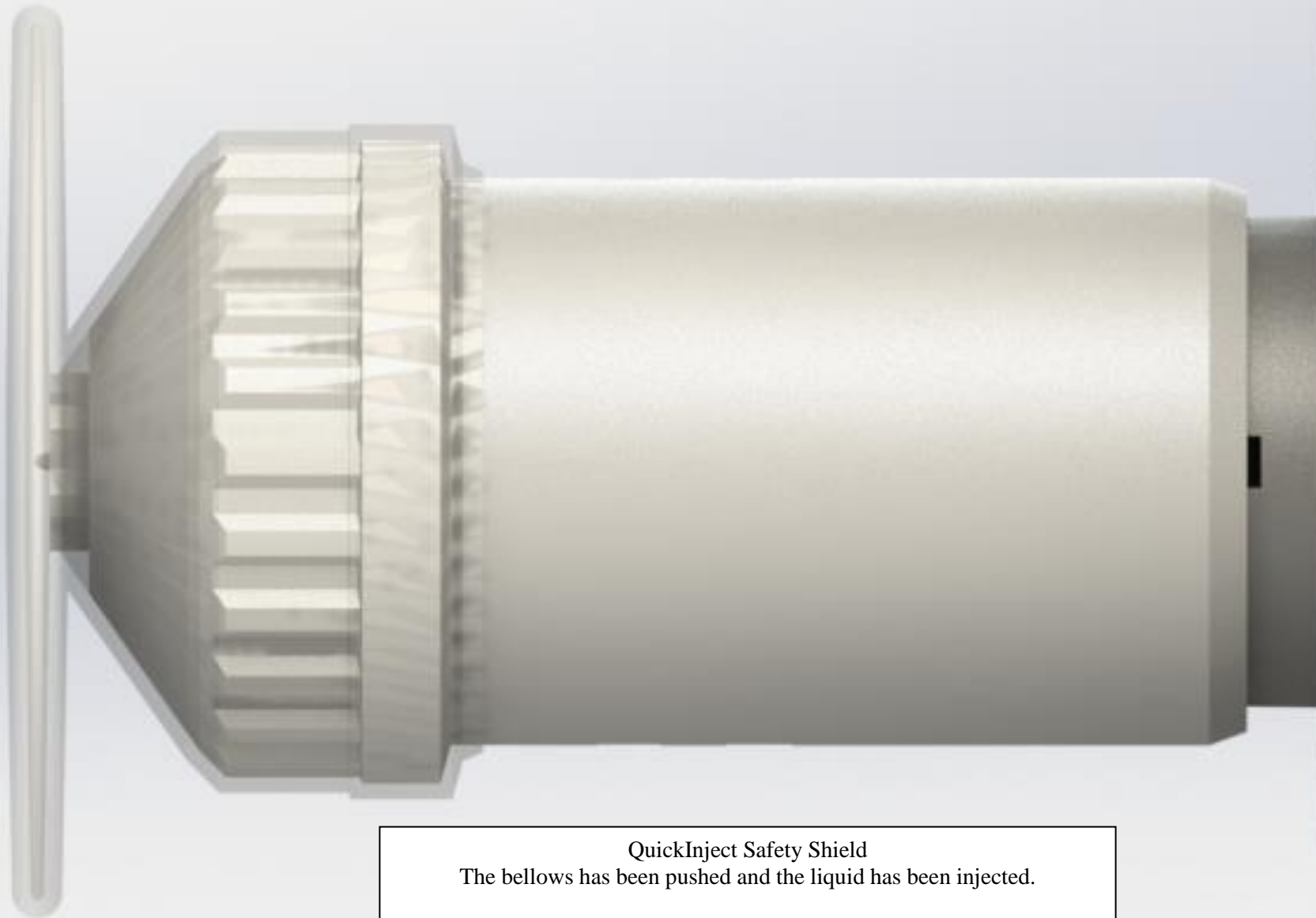
- **One handed use:** hold the device between your thumb and middle finger. Your index finger is on the bellows.
- The skin is off to the right.



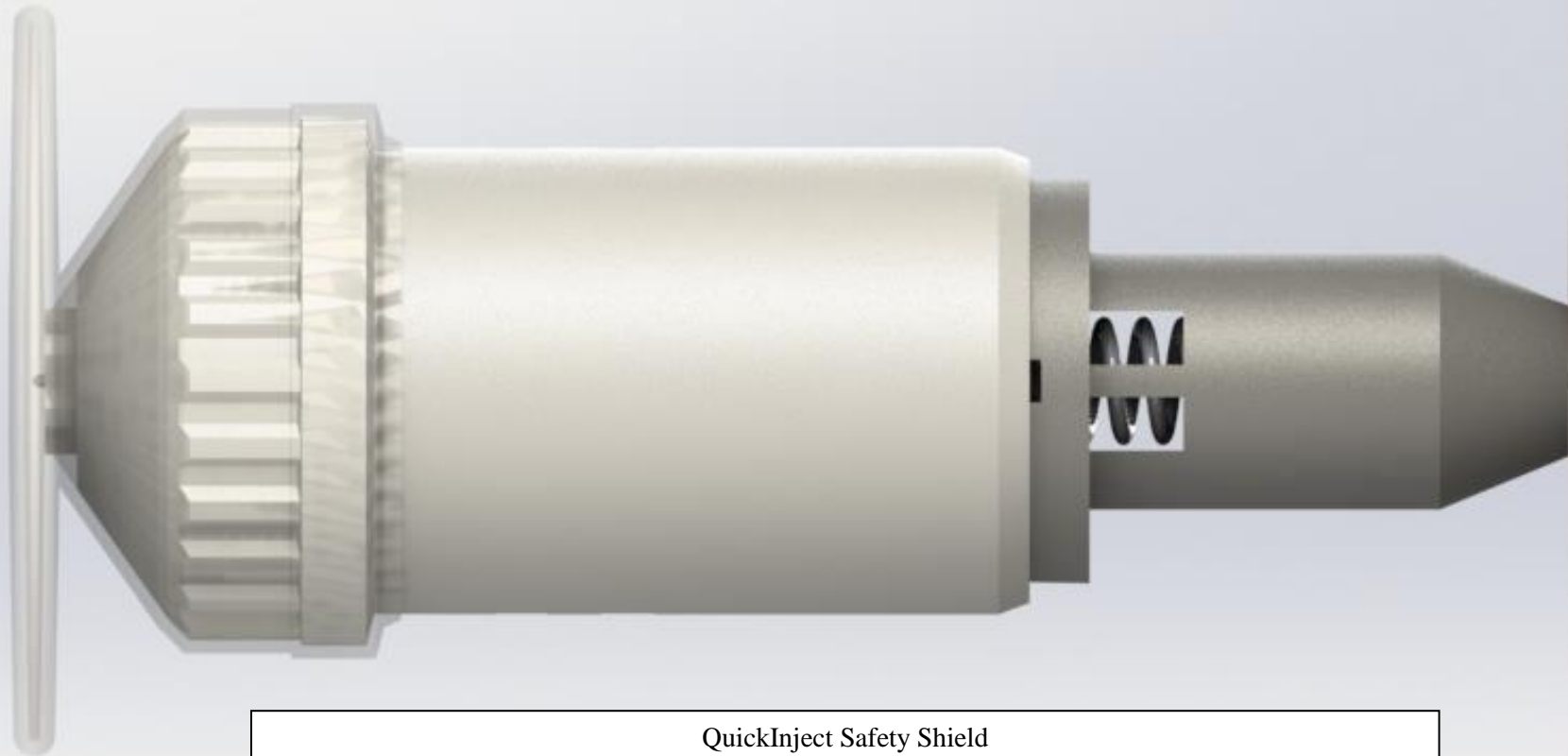
QuickInject Safety Shield

- The needle has penetrated the skin.





QuickInject Safety Shield  
The bellows has been pushed and the liquid has been injected.



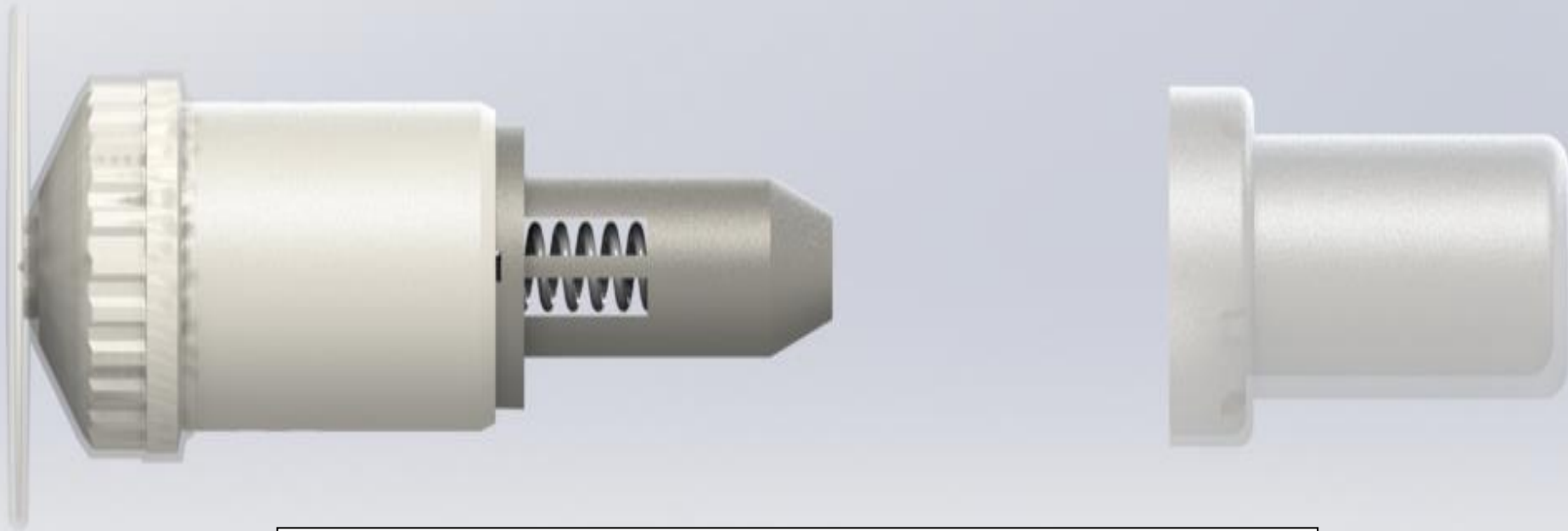
QuickInject Safety Shield

- Withdrawal of the needle.
- As the illustration shows the inner safety shield is immediately deployed to cover the needle.



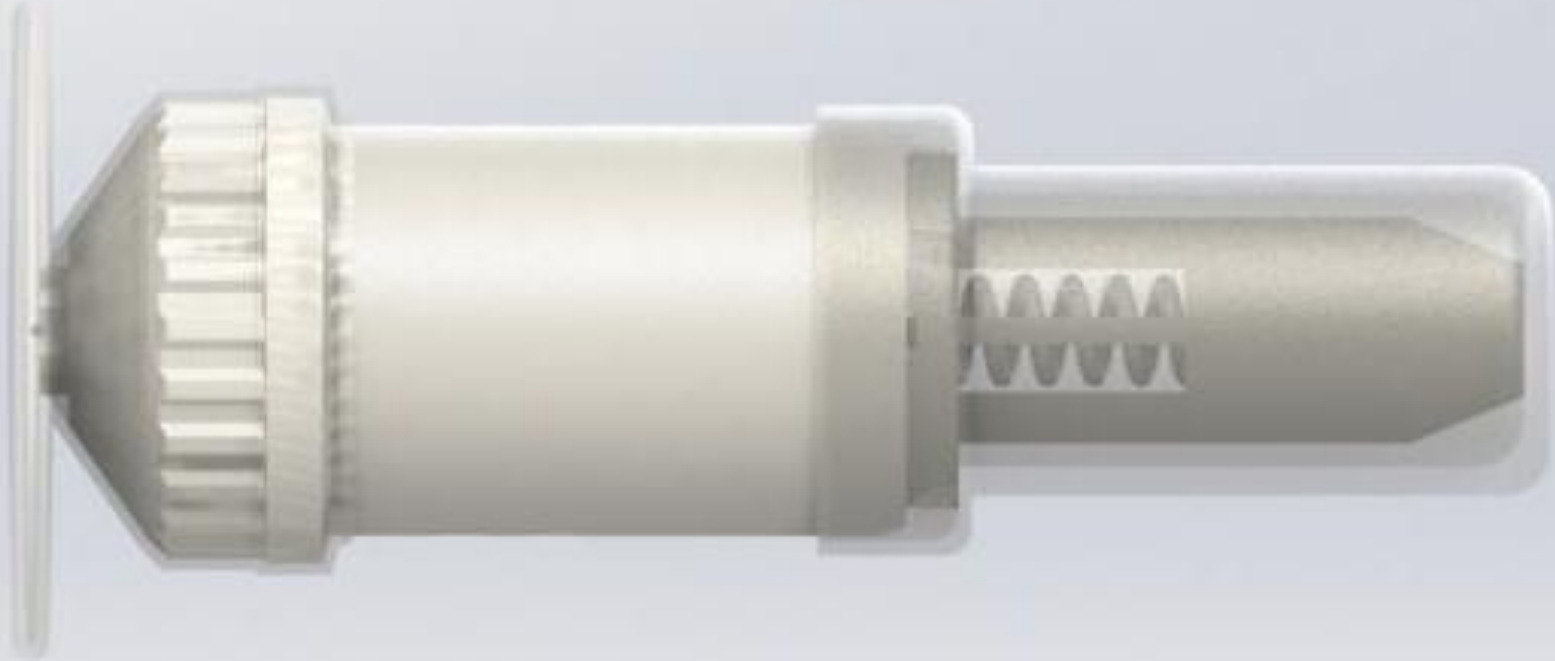
#### QuickInject Safety Shield

- The user is protected for a needle stick injury.
- A collapsed bellows confirms the injection has been successful.



#### QuickInject Safety Shield

- The device is ready to be capped.
- This cap can be opaque in color to initially hide the needle.
  - The colored cap can also have other uses.



#### QuickInject Safety Shield

- The inner cap has been replaced.
- The device is now ready for disposal